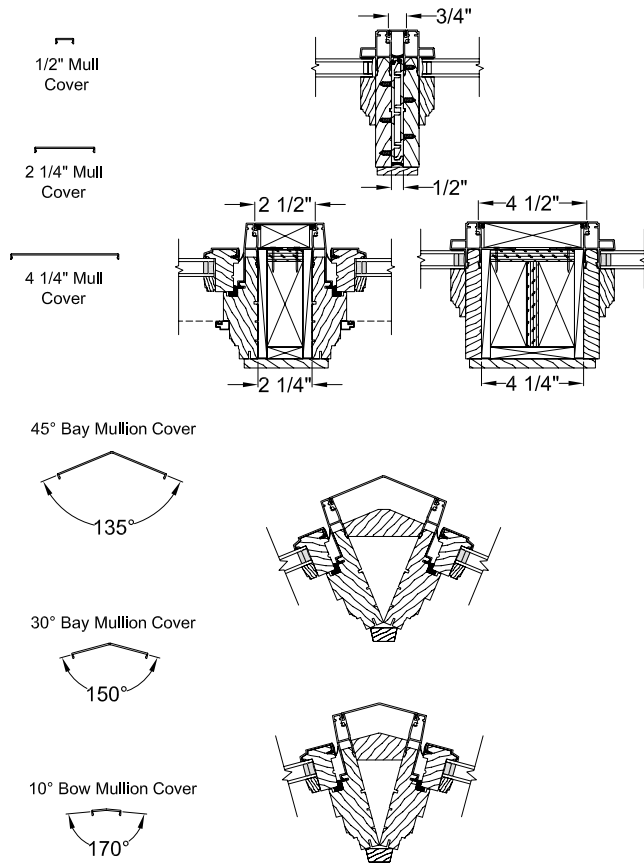
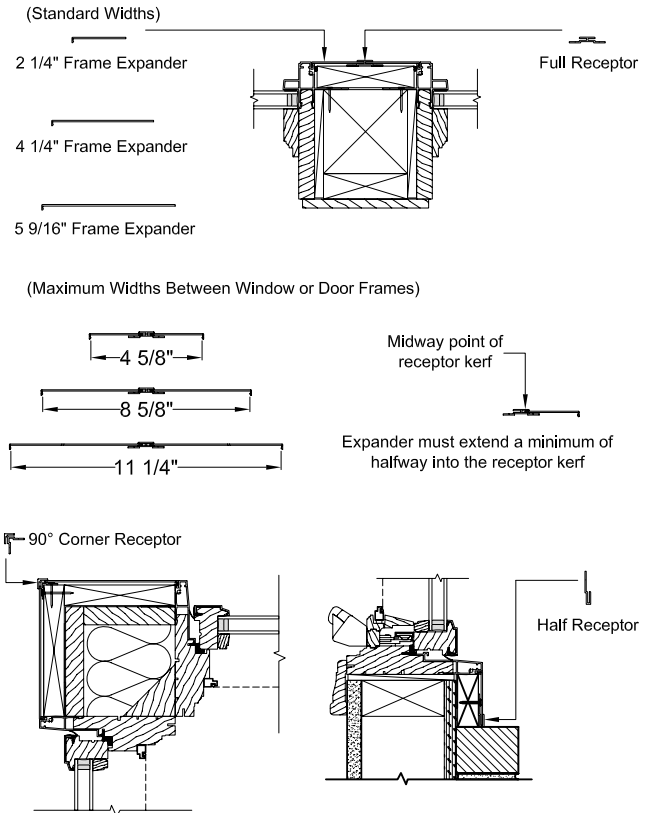


CLAD & WOOD ACCESSORIES

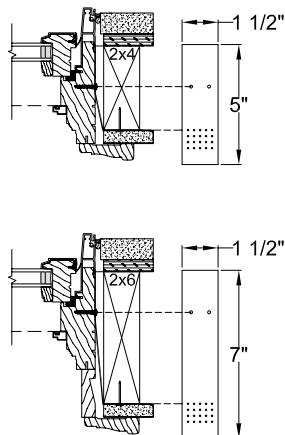
Clad Mullion Covers / Application



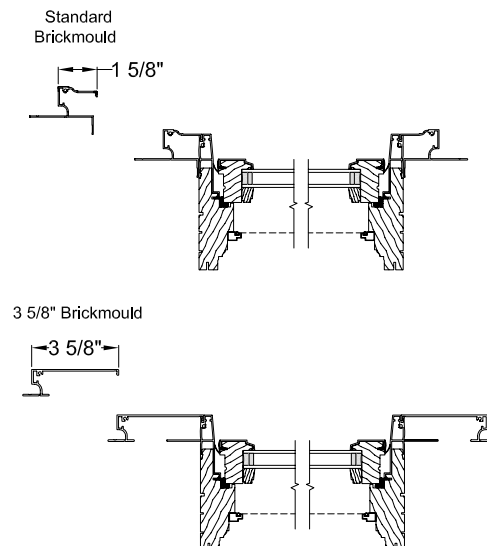
Clad Frame Expander & Receptor / Application



Installation Clips



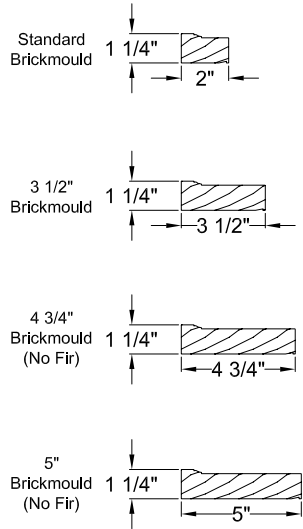
Clad Brickmould



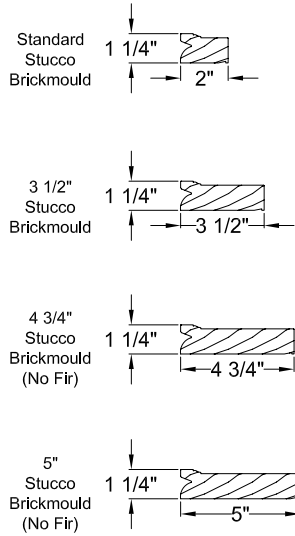
Scale: 1-1/2" = 1'-0"

Drawings have been simplified for clarity.
They are not intended for installation purposes.

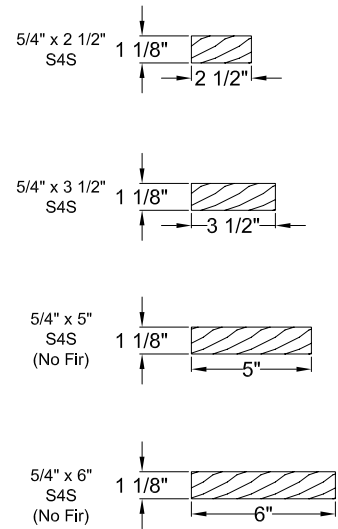
Standard Brickmoulds



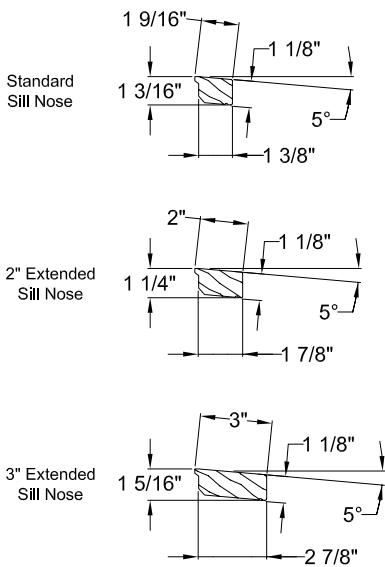
Standard Stucco Brickmoulds



Standard S4S Exterior Trims



Standard Exterior Sill Nose



Scale: 1-1/2" = 1'-0"

Mullion Covers

